

1

2

3

4

5

6

RevNo	Revision note	Date	Signature	Checked
-------	---------------	------	-----------	---------

A

B

C

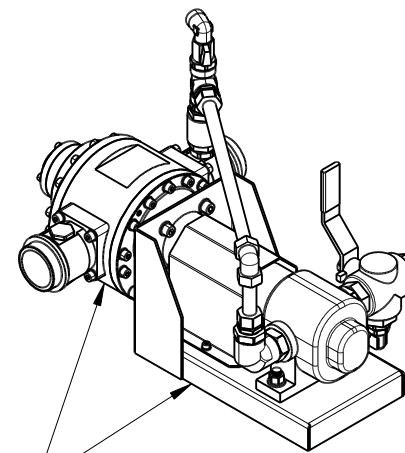
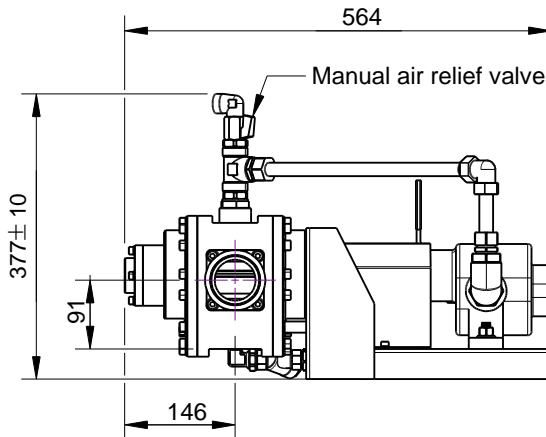
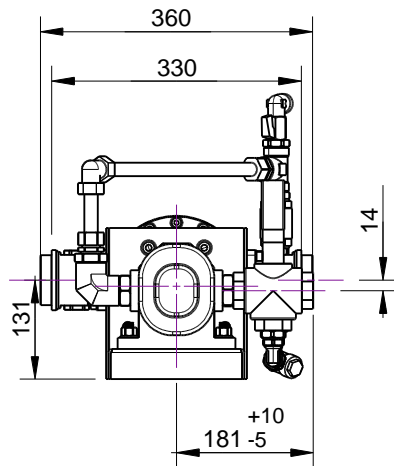
D

A

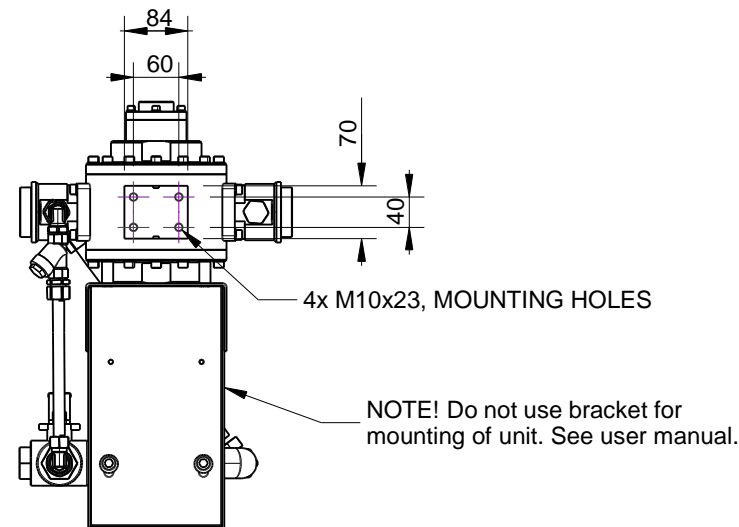
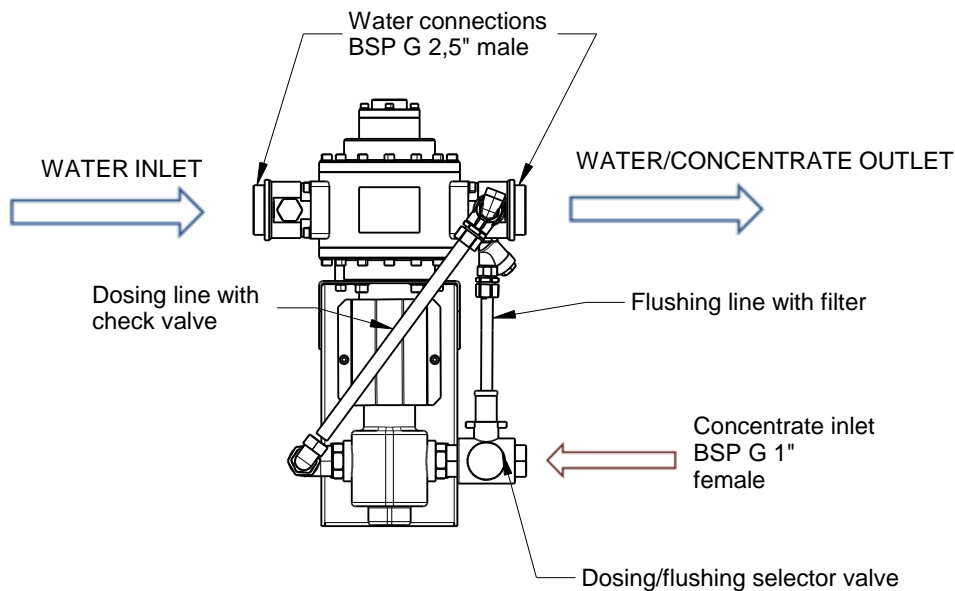
B

C

D



Suitable lifting points



Dimension tolerance ± 1 mm unless otherwise stated
 NOTE! Reverse water flow direction is optional
 We reserve the right to make changes without prior notice

Drawn by WALLE	Checked by	Approved by - date	File name	Date 2015-06-04	Scale 1:10
-------------------	------------	--------------------	-----------	--------------------	---------------

Firemiks AB			FIREMIKS FM 800-3-GP		
P.O.Box 8155 SE-104 20 STOCKHOLM, Sweden info@firemiks.com +46-8-551 196 10			Copyright of Firemiks AB All rights reserved		Edition Sheet

1

2

3

6