

1

2

3

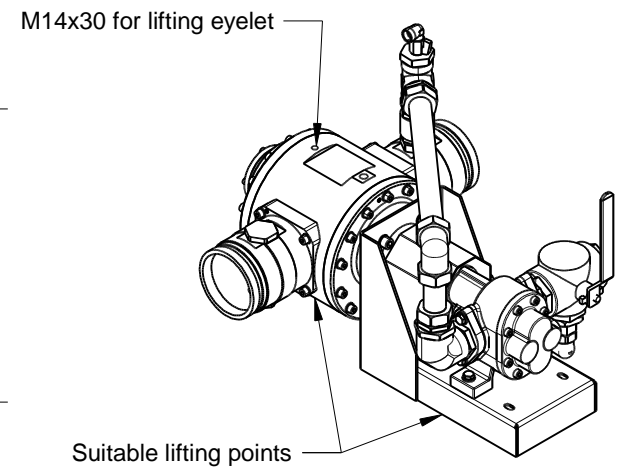
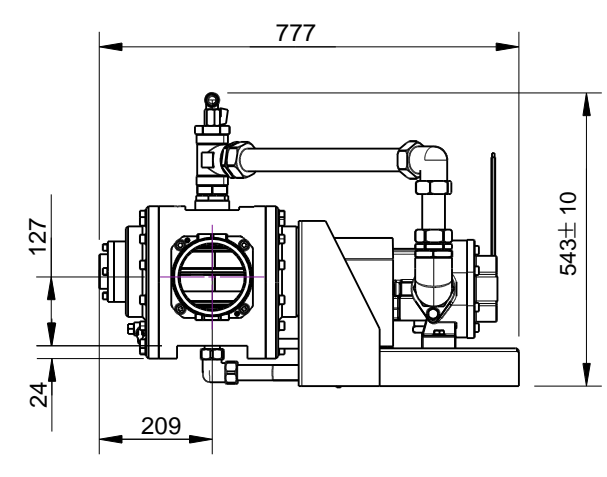
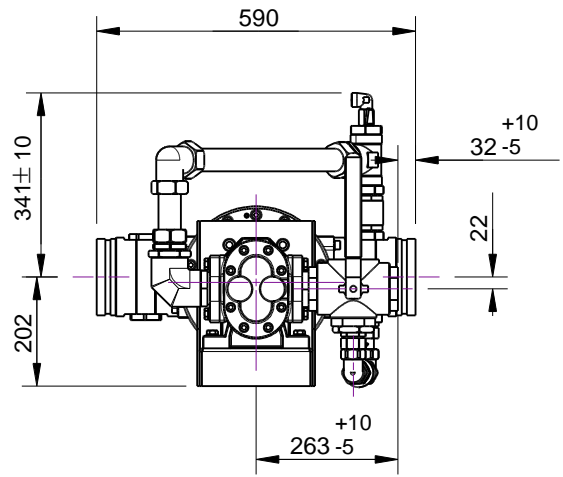
4

5

6

RevNo	Revision note	Date	Signature	Checked
-------	---------------	------	-----------	---------

A



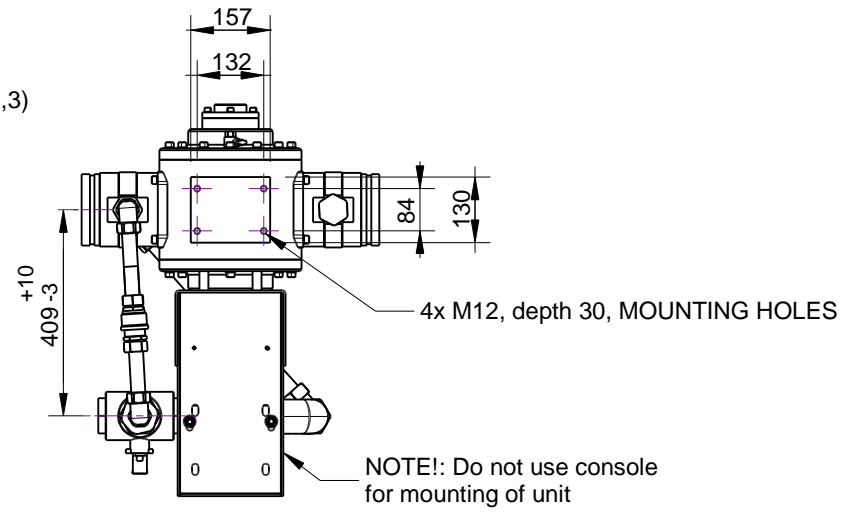
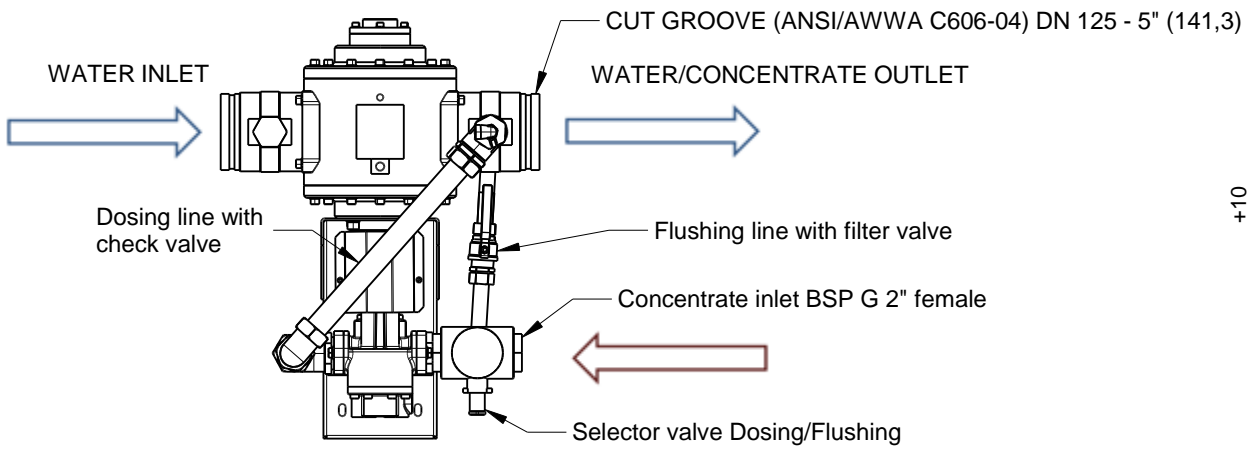
A

B

B

C

C



D

D

Dimension tolerance ± 1mm unless otherwise stated

NOTE! Reverse water flow direction is optional

We reserve the right to make changes in the specifications without prior notice

Drawn by WALLE	Checked by	Approved by - date	File name	Date 2015-06-04	Scale 1:14
Firemiks AB P.O.Box 8155 SE-104 20 STOCKHOLM, Sweden info@firemiks.com +46-8-551 196 10			FIREMIKS FM 3200-3-GP		
Copyright of Firemiks AB All rights reserved			Edition	Sheet	

1

2

3

6