

1

2

3

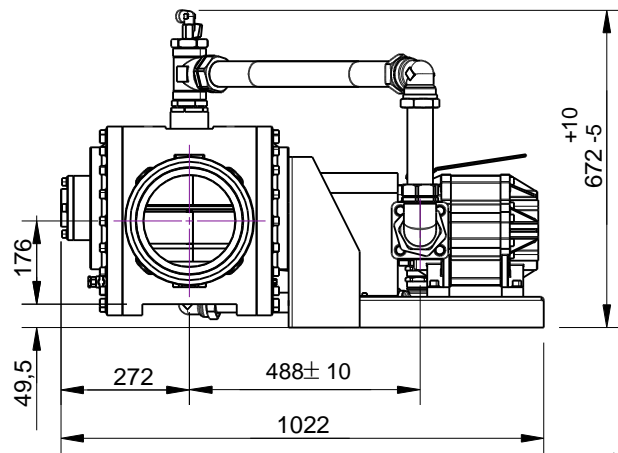
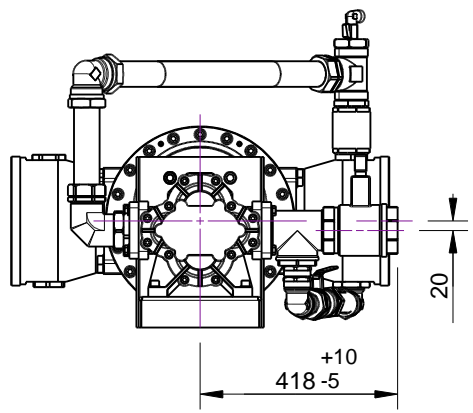
4

5

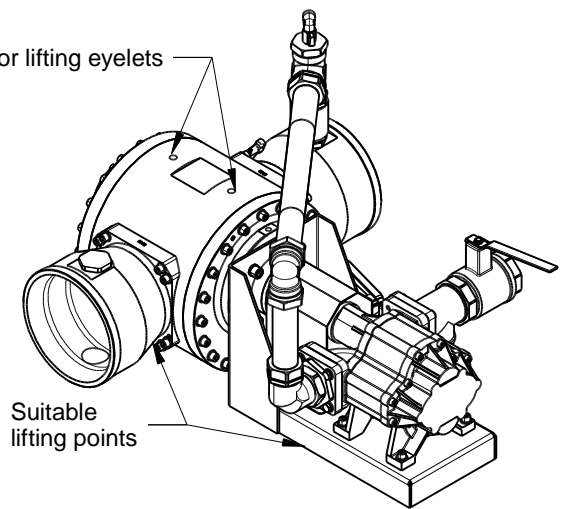
6

RevNo	Revision note	Date	Signature	Checked
-------	---------------	------	-----------	---------

A



2x M16 for lifting eyelets



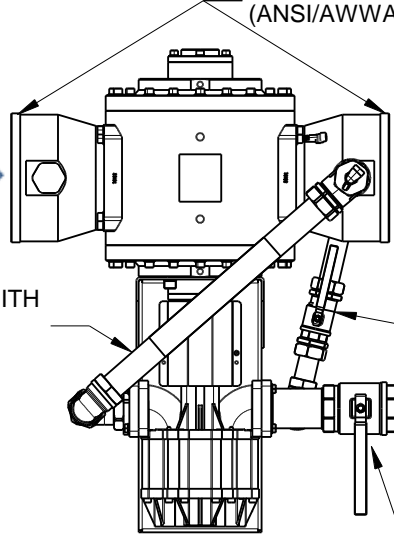
Suitable lifting points

B

CUT GROOVE (ANSI/AWWA C606-04) DN 250 - 10"

WATER INLET

WATER/CONCENTRATE OUTLET

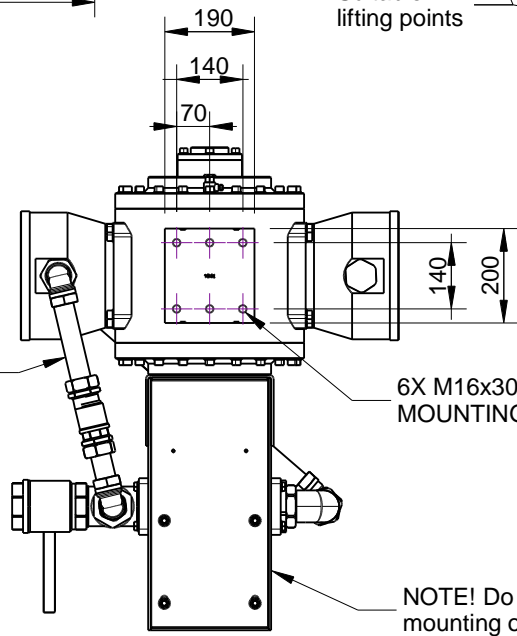


DOSING LINE WITH CHECK VALVE

FLUSHING VALVE WITH INTEGRATED FILTER

CONCENTRATE INLET BSP 3" FEMALE

DOSING VALVE



Flushing line

6X M16x30 MOUNTING HOLES

NOTE! Do not use bracket for mounting of unit. See user manual!

C

D

Dimension tolerance ± 1mm unless otherwise stated

NOTE! Reverse water flow direction is optional

We reserve the right to make changes in the specification without prior notice

Drawn by WALLE	Checked by	Approved by - date	File name	Date 2015-06-04	Scale 1:16
-------------------	------------	--------------------	-----------	--------------------	---------------

**Firemiks AB**  
**P.O.Box 8155**  
**SE-104 20 STOCKHOLM, Sweden**  
**info@firemiks.com +46-8-551 196 10**

<b>FIREMIKS FM 10000-3-GP</b>	
Copyright of Firemiks AB All rights reserved	Edition Sheet

1

2

3

6

A

B

C

D