

1

2

3

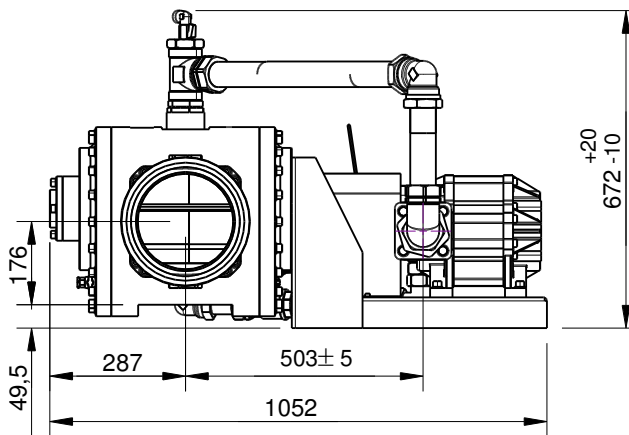
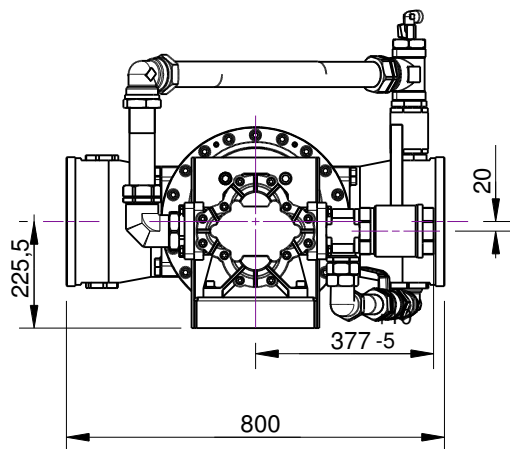
4

5

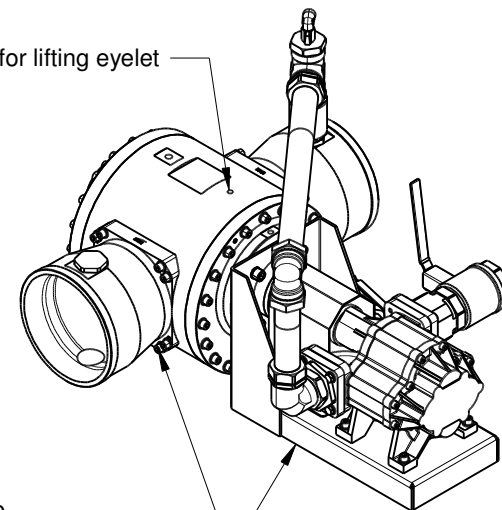
6

RevNo	Revision note	Date	Signature	Checked
-------	---------------	------	-----------	---------

A



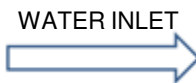
M16 for lifting eyelet



A

B

CUT GROOVE (ANSI/AWWA C606-4)
DN 250 - 10"

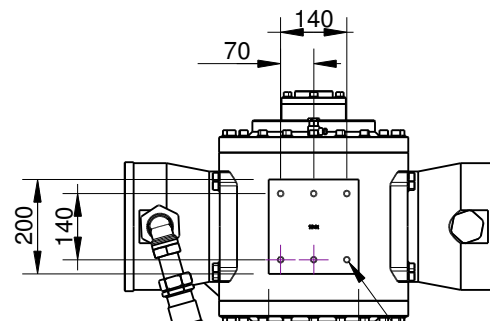
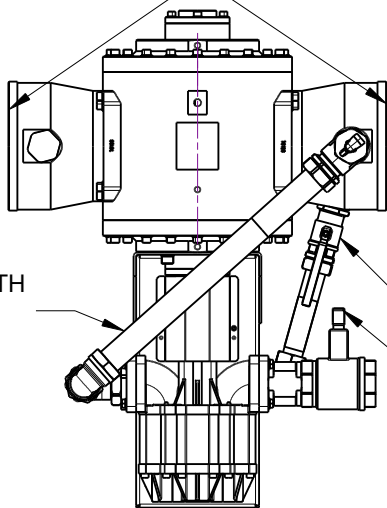


DOSING LINE WITH CHECK VALVE

FLUSHING VALVE with integrated filter

DOSING VALVE

CONCENTRATE INLET
G 3" iso 228-1 Female



6x M16, depth 30, MOUNTING HOLES

FLUSHING LINE

NOTE! Do not use bracket for mounting of unit. See user manual!

B

C

C

D

D

Dimension tolerance ± 1mm unless otherwise stated

NOTE! Reverse water flow direction is optional

We reserve the right to make changes in the specification without prior notice

Drawn by WALLE	Checked by	Approved by - date	File name	Date 2016-11-23	Scale 1:16
Firemiks AB P.O.Box 8155 SE-104 20 STOCKHOLM, Sweden info@firemiks.com +46-8-551 196 10			FIREMIKS FM 12000-3-GP-F DN250		
Copyright of Firemiks AB All rights reserved				Edition	Sheet

1

2

3

6