

1

2

3

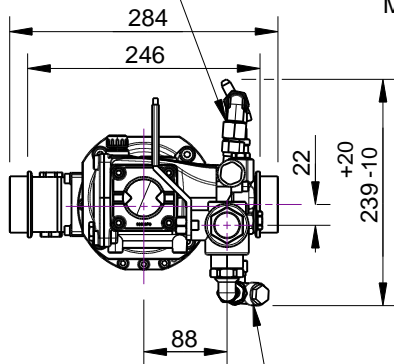
4

5

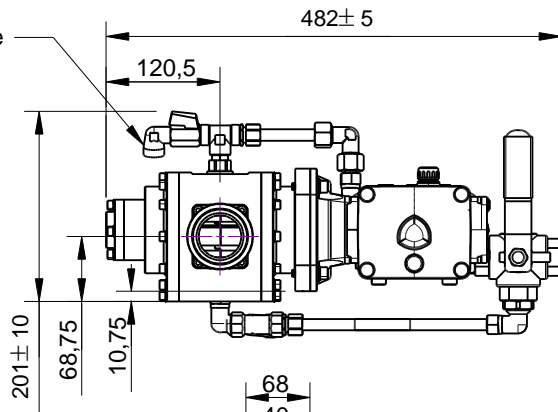
6

RevNo	Revision note	Date	Signature	Checked
-------	---------------	------	-----------	---------

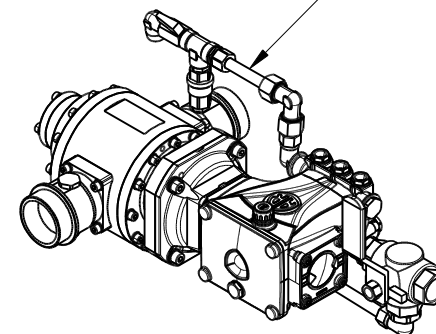
FOAM LINE WITH CHECK VALVE



Manual air relief valve



WARNING!  
Do not use piping to lift the unit!



A

A

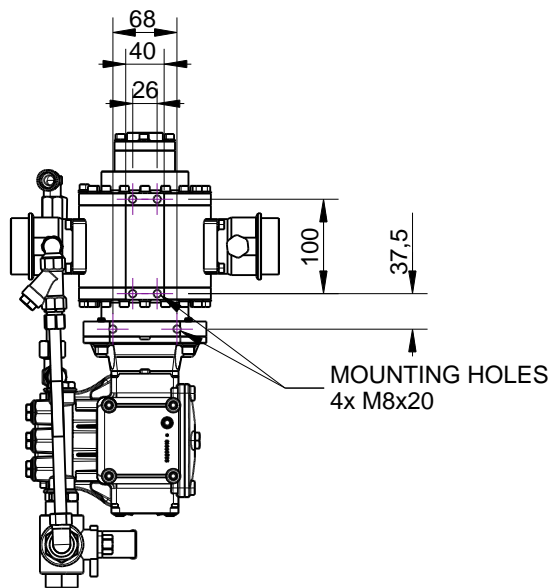
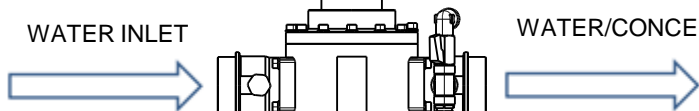
B

B

FLUSHING LINE WITH FILTER

WATER INLET

WATER/CONCENTRATE OUTLET



C

C

SELECTOR VALVE DOSING/FLUSHING

CONCENTRATE INLET  
BSP G 0,75" FEMALE

D

D

Drawn by WALLE	Checked by	Approved by - date	File name	Date 2015-03-25	Scale 1:8
-------------------	------------	--------------------	-----------	--------------------	--------------

Dimension tolerances ± 1mm unless otherwise stated  
 NOTE! Reverse water flow direction is optional  
 We reserve the right to make design changes without prior notice

**Firemiks AB**

**P.O.Box 8155**  
**SE-104 20 STOCKHOLM, Sweden**  
**info@firemiks.com +46-8-551 196 10**

**FIREMIKS FM 400-3-PP**

Copyright of Firemiks AB All rights reserved	Edition	Sheet
---	---------	-------

1

2

3

6