

1

2

3

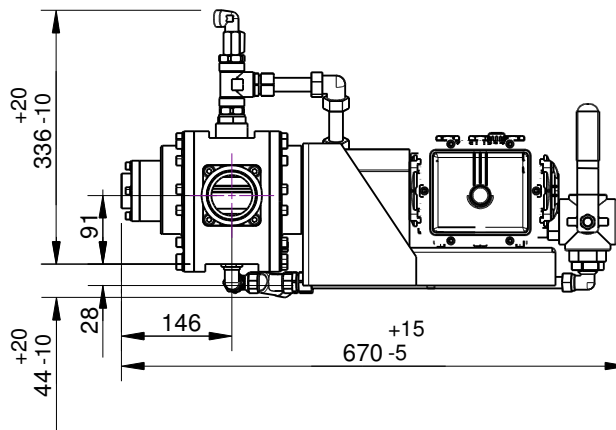
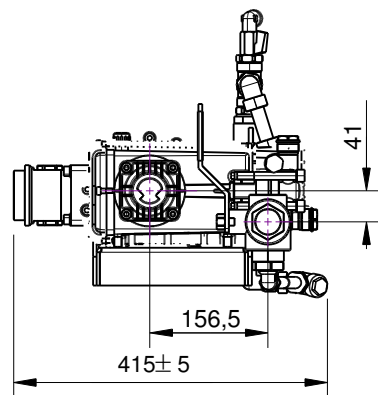
4

5

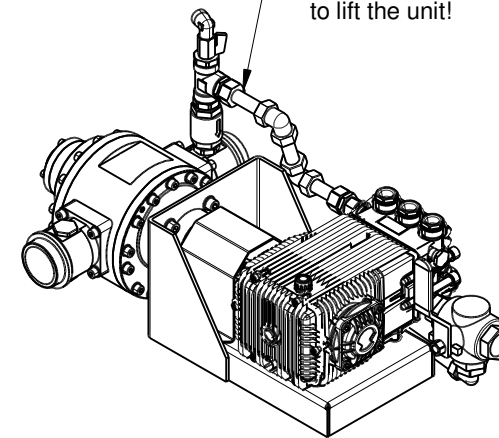
6

RevNo	Revision note	Date	Signature	Checked
-------	---------------	------	-----------	---------

A

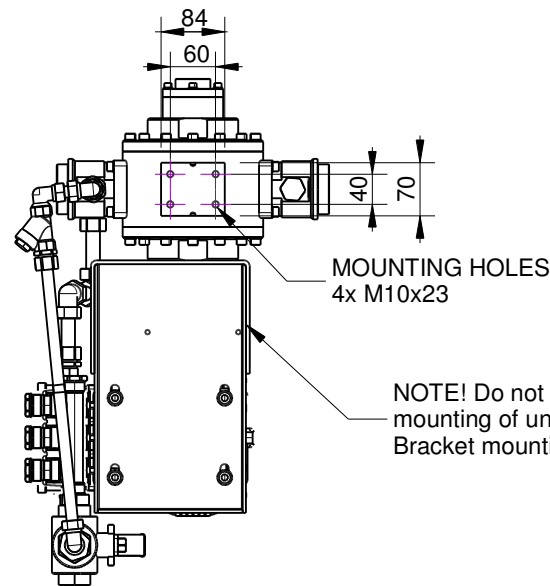
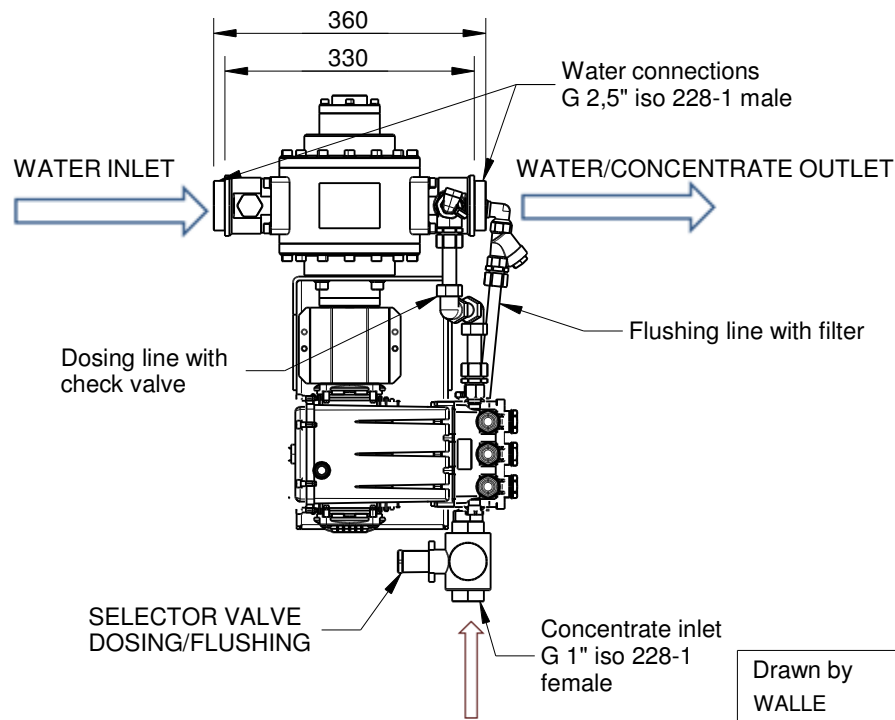


WARNING!
Do not use piping to lift the unit!



A

B



NOTE! Do not use bracket for mounting of unit. See user manual. Bracket mounting optional.

B

C

C

D

D

Drawn by WALLE	Checked by	Approved by - date	File name	Date 2016-04-18	Scale 1:10
-------------------	------------	--------------------	-----------	--------------------	---------------

Firemiks AB

**P.O.Box 8155
SE-104 20 STOCKHOLM, Sweden
info@firemiks.com +46-8-551 196 10**

FIREMIKS FM 800-3-PP-F

Copyright of Firemiks AB All rights reserved	Edition	Sheet
---	---------	-------

Dimension tolerance ± 1 mm unless otherwise stated

NOTE! Reverse water flow direction is optional
We reserve the right to make changes without prior notice

1

2

3

6