

1

2

3

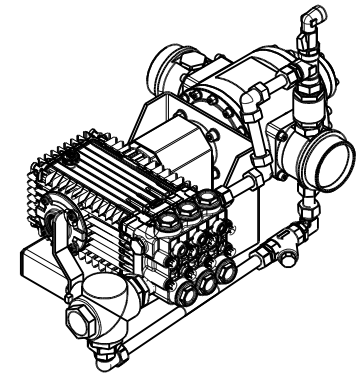
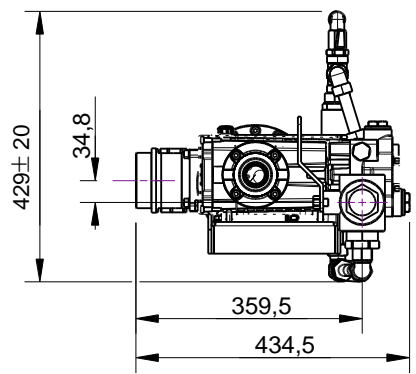
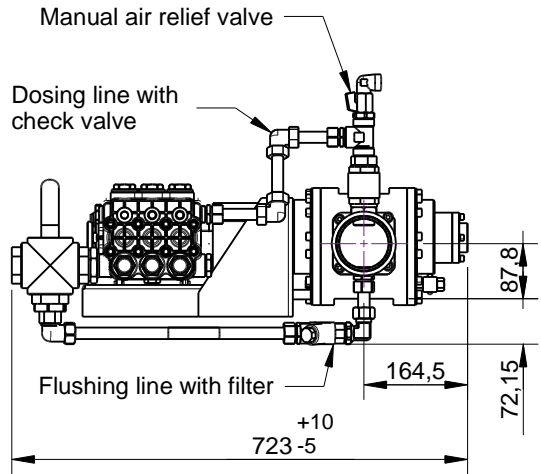
4

5

6

RevNo	Revision note	Date	Signature	Checked
-------	---------------	------	-----------	---------

A



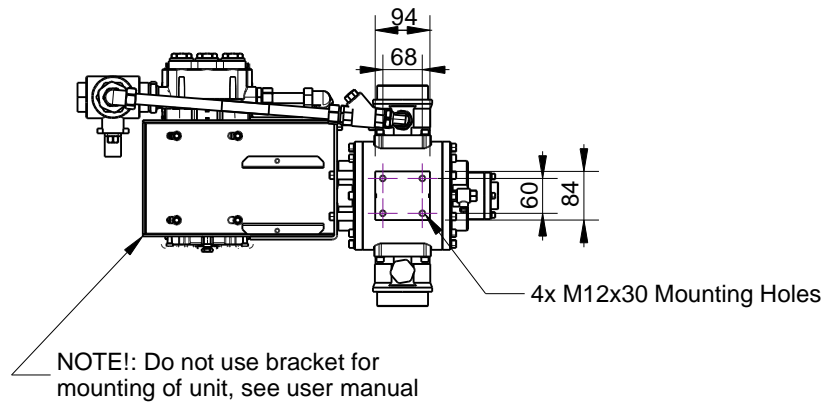
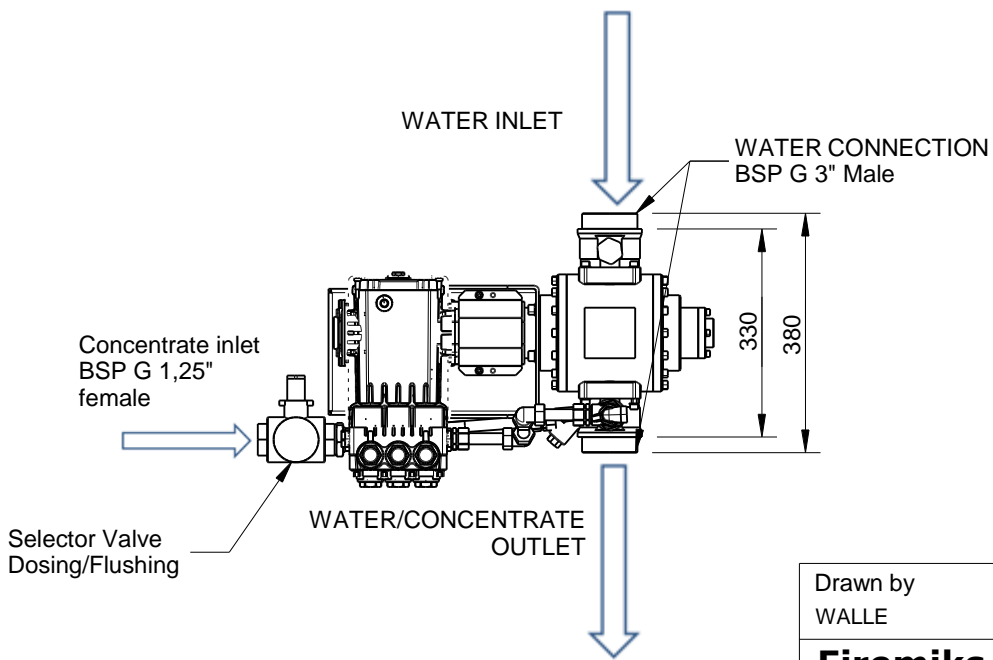
A

B

B

C

C



D

D

Drawn by WALLE	Checked by	Approved by - date	File name	Date 2015-03-25	Scale 1:12
-------------------	------------	--------------------	-----------	--------------------	---------------

<b>Firemiks AB</b>			<b>FIREMIKS FM 1200-3-PP</b>		
P.O.Box 8155 SE-104 20 STOCKHOLM, Sweden info@firemiks.com +46-8-551 196 10			Copyright of Firemiks AB All rights reserved		Edition Sheet

Dimensions tolerance ± 1mm unless otherwise noted  
 NOTE! Reverse water flow is optional  
 We reserve the right to make changes without prior notice

1

2

3

6