

1

2

3

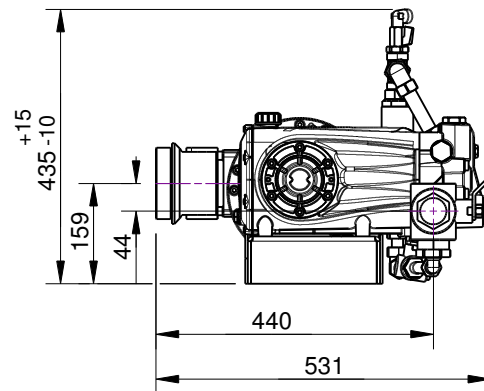
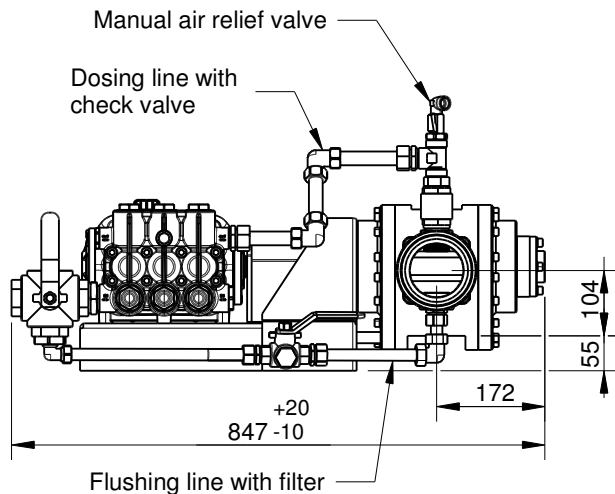
4

5

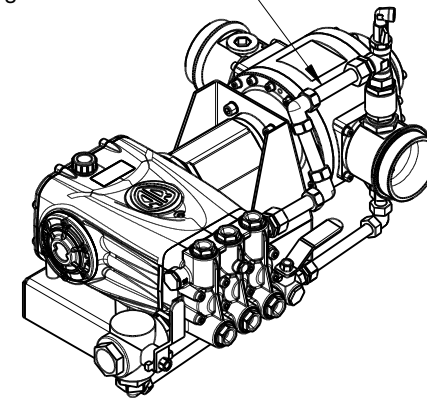
6

RevNo	Revision note	Date	Signature	Checked
-------	---------------	------	-----------	---------

A

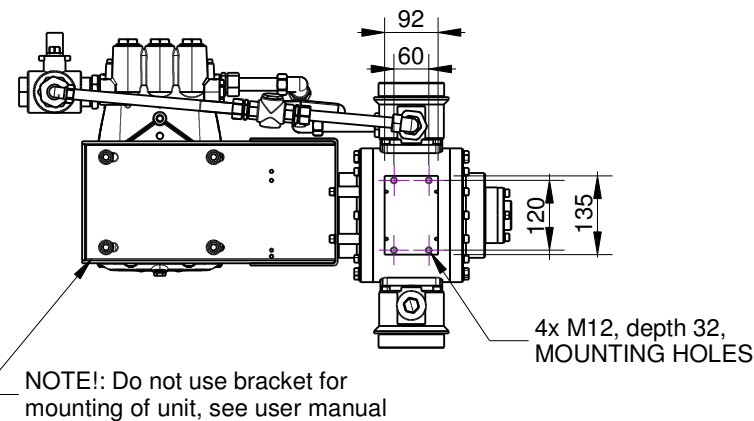
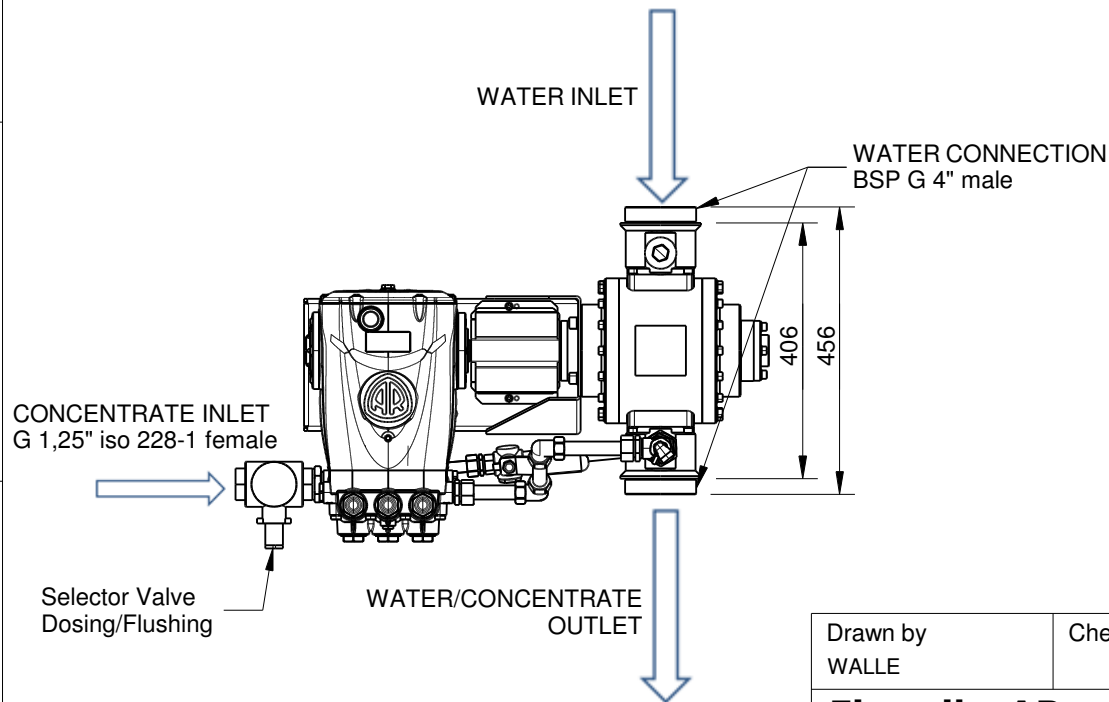


WARNING!
Do not use piping for lifting the unit!



B

C



D

Dimensions tolerance ± 1 mm unless otherwise noted
NOTE! Reverse water flow direction is optional
We reserve the right to make changes without prior notice

Drawn by WALLE	Checked by	Approved by - date	File name	Date 2016-05-25	Scale 1:12
Firemiks AB P.O.Box 8155 SE-104 20 STOCKHOLM, Sweden info@firemiks.com +46-8-551 196 10			FIREMIKS FM 1800-3-PP-F		
Copyright of Firemiks AB All rights reserved				Edition	Sheet

1

2

3

6

A

B

C

D