

RECOMMENDED PRINCIPLE SETUP - FIREMIKS® FIXED TYPE (SEPARATE FLUSHING)

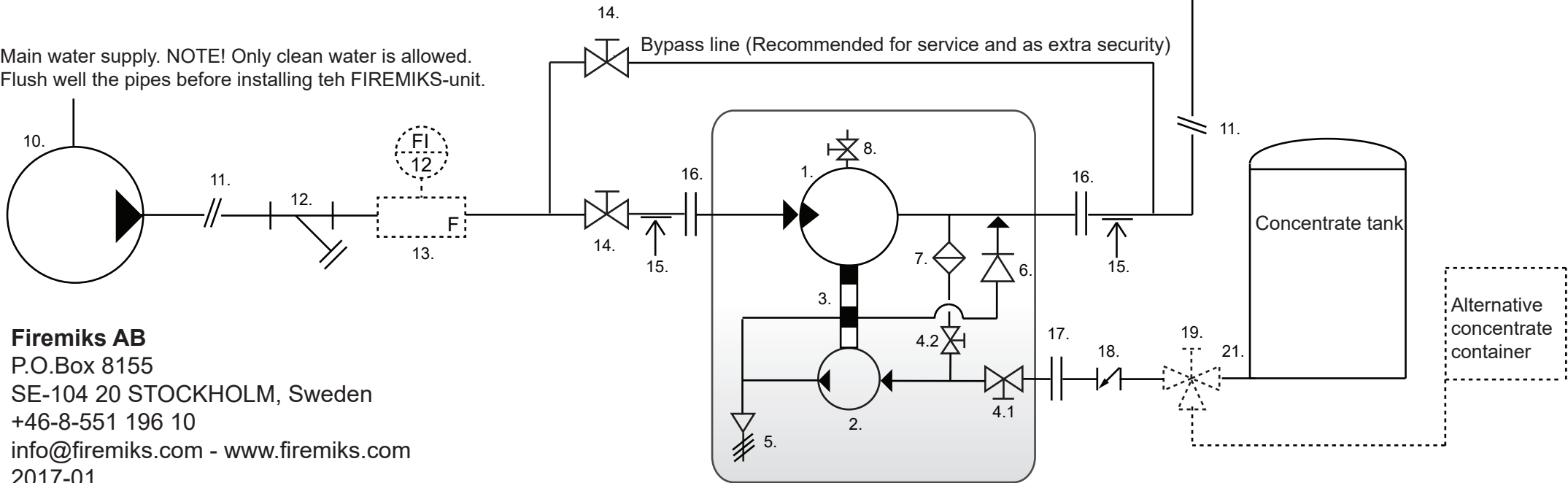
The purpose of this recommended principle setup scheme is to inform on the general needs for making a good installation with the FIREMIKS and is not binding or contractual in any way. For information about each specific FIREMIKS model, working conditions, connection types, etc. please consult the respective data sheets. We reserve the right to make changes in the information without prior notice.

FIREMIKS

- | | | |
|---|--|---|
| 1. Water motor | 10. Main water pump | 19. Optional; Selector valve:
Suction pipe/Concentrate container |
| 2. Concentrate pump | 11. (Length does not affect dosing rate of FIREMIKS) | 20. Nozzles/Monitors/Deluge system /Sprinkler heads/Foam generators etc. |
| 3. Drive coupling | 12. Y-strainer, main water line | 21. Internal diameter on suction system must have equal or larger diameter as the inlet of the Selector valve Dosing (no. 4.1). |
| 4. Selector valves:
Dosing (4.1) /
Flushing (4.2) | 13. Optional: Flow meter | |
| 5. Manual/Automatic air relief valve | 14. Shut off valve | |
| 6. Check valve | 15. Pipe support | |
| 7. Filter | 16. Connection to Water motor | |
| 8. Drain valve | 17. Connection to Concentrate inlet | |
| | 18. Swing check valve, to prevent flushing water to enter the Concentrate tank (do not use a check valve that is spring loaded as it restricts the concentrate flow) | |

We recommend gravity-feed of concentrate from tank to dosing pump. (Obligatory for piston pump -PP types).

Main water supply. NOTE! Only clean water is allowed. Flush well the pipes before installing the FIREMIKS-unit.



Firemiks AB

P.O.Box 8155
SE-104 20 STOCKHOLM, Sweden
+46-8-551 196 10
info@firemiks.com - www.firemiks.com
2017-01