

1

2

3

4

5

6

RevNo	Revision note	Date	Signature	Checked
-------	---------------	------	-----------	---------

A

B

C

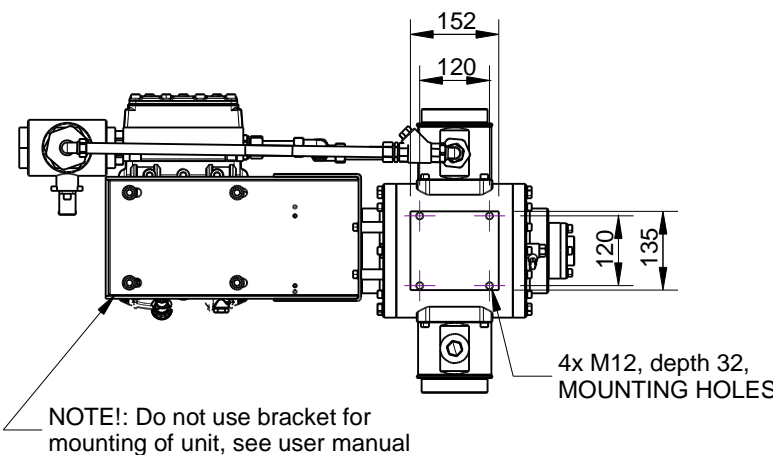
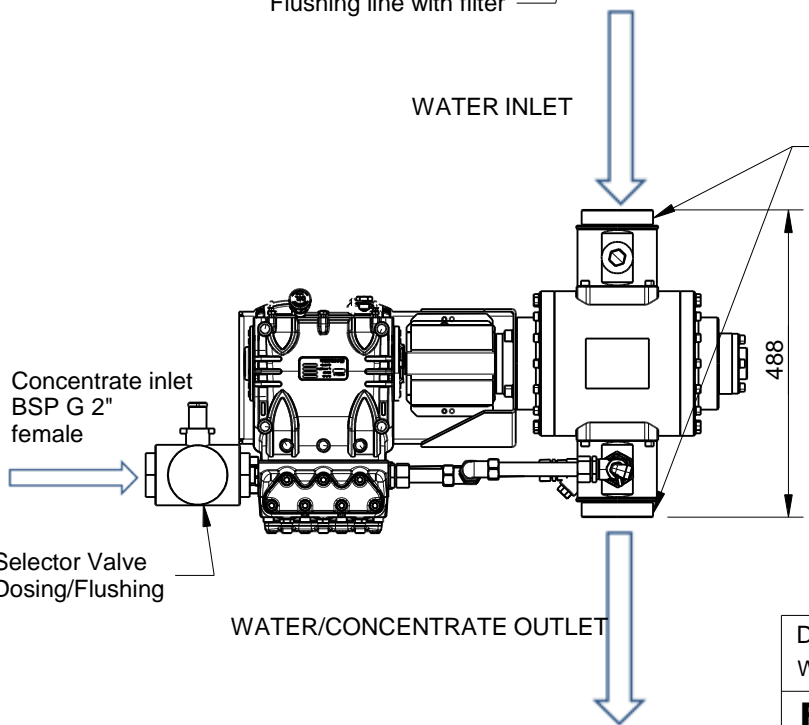
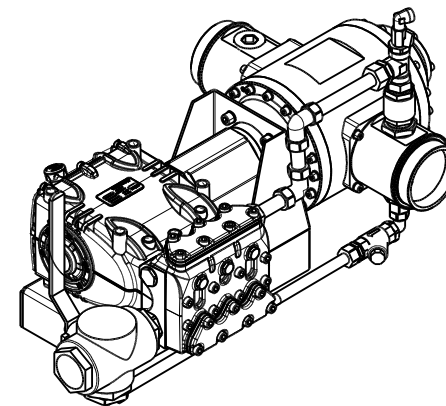
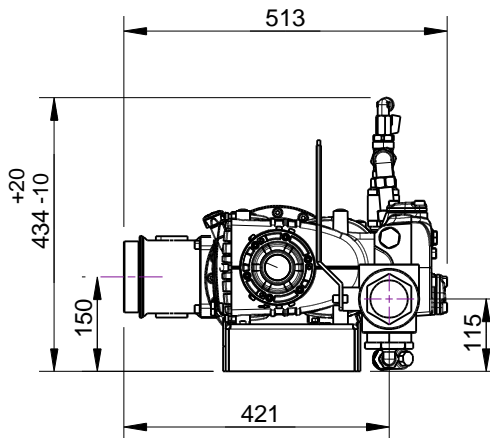
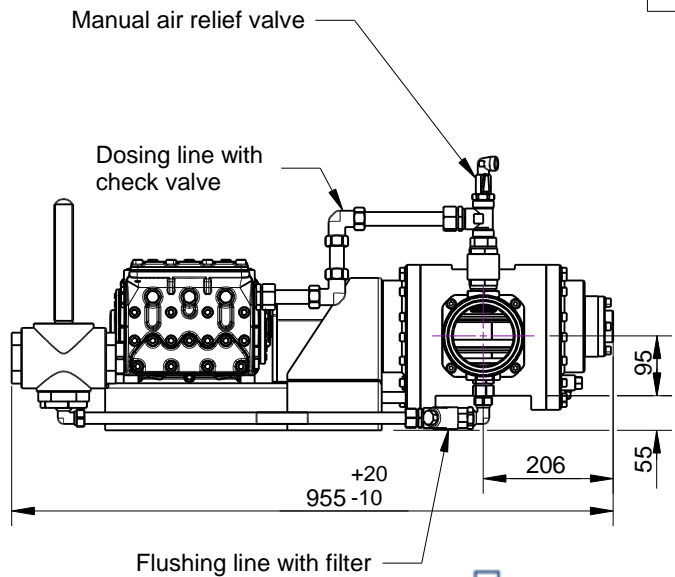
D

A

B

C

D



Dimensions tolerance $\pm 1\text{mm}$ unless otherwise noted
 NOTE: Reverse water flow direction is optional
 We reserve the right to make changes without prior notice

Drawn by WALLE	Checked by	Approved by - date	File name	Date 2015-03-25	Scale 1:12
Firemiks AB P.O.Box 8155 SE-104 20 STOCKHOLM, Sweden info@firemiks.com +46-8-551 196 10			FIREMIKS FM 2400-3-PP		
Copyright of Firemiks AB All rights reserved				Edition	Sheet

1

2

3

6