

1

2

3

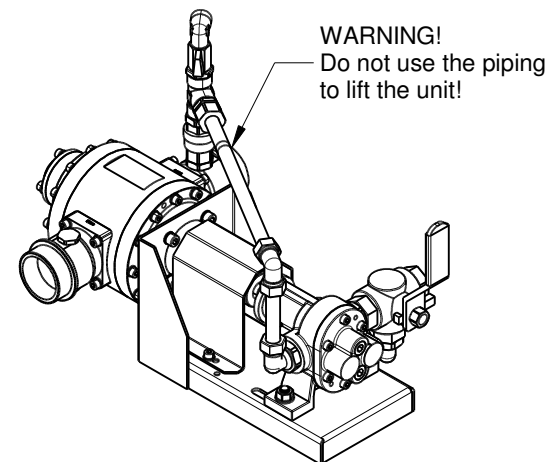
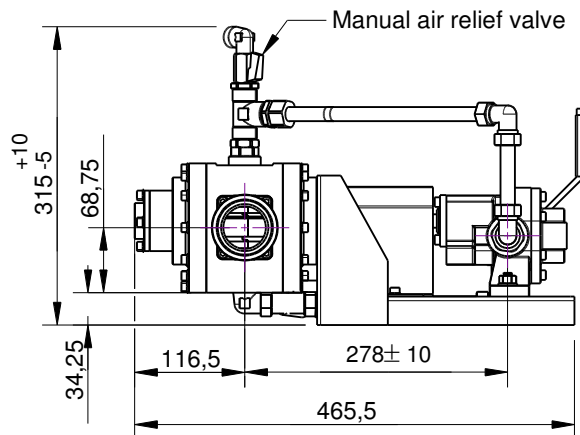
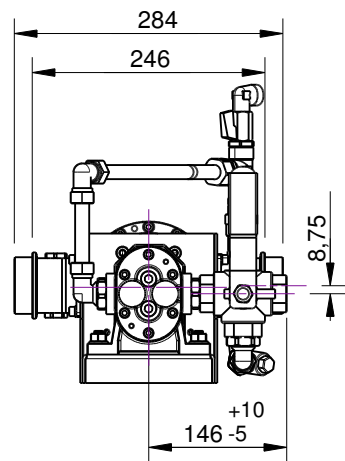
4

5

6

RevNo	Revision note	Date	Signature	Checked
-------	---------------	------	-----------	---------

A



B

Water connections
G 2" iso 228-1 male

WATER INLET

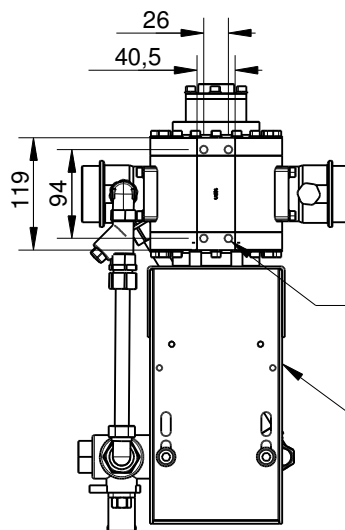
WATER/CONCENTRATE OUTLET

DOSING LINE WITH
CHECK VALVE

FLUSHING LINE
WITH FILTER

CONCENTRATE INLET
G 0,75" iso 228-1 female

SELECTOR VALVE
DOSING/FLUSHING



MOUNTING HOLES
4x M8x16

Do not use bracket for mounting of unit
(See user manual)

C

D

Drawn by WALLE	Checked by	Approved by - date	File name	Date 2017-01-16	Scale 1:8
-------------------	------------	--------------------	-----------	--------------------	--------------

Dimension tolerance ± 1 mm unless otherwise stated
 NOTE! Reverse water flow direction is optional
 We reserve the right to make design changes without prior notice

Firemiks AB

P.O.Box 8155
SE-104 20 STOCKHOLM, Sweden
info@firemiks.com +46-8-551 196 10

FIREMIKS FM 400-3-GP-F

Copyright of Firemiks AB
All rights reserved

Edition Sheet

1

2

3

6

A

B

C

D