

1

2

3

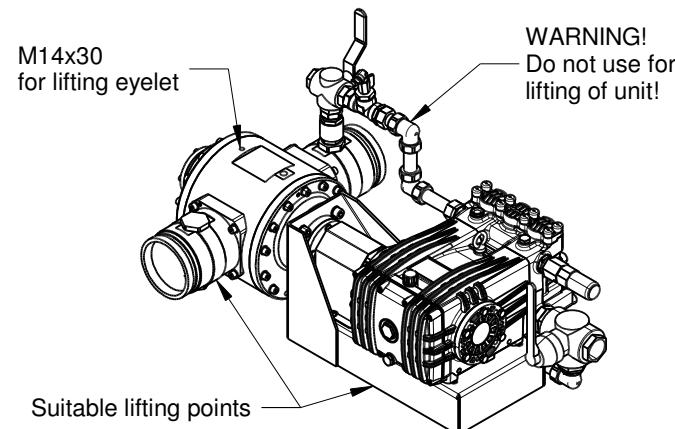
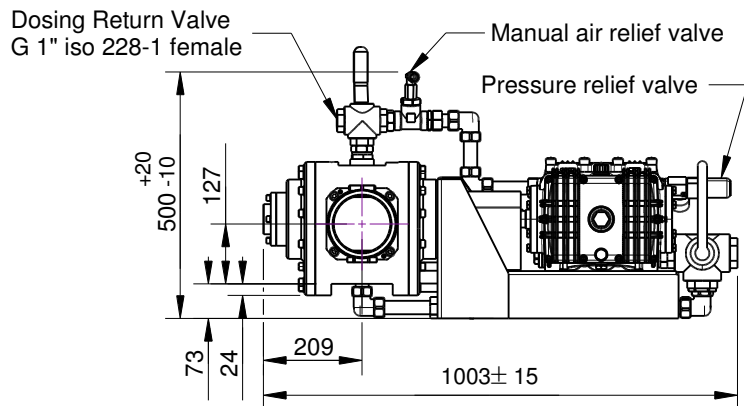
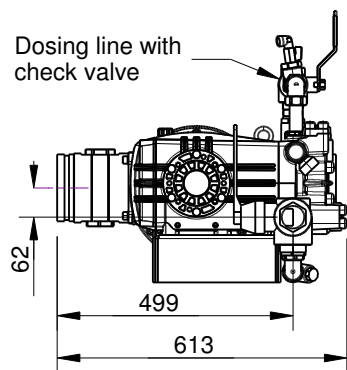
4

5

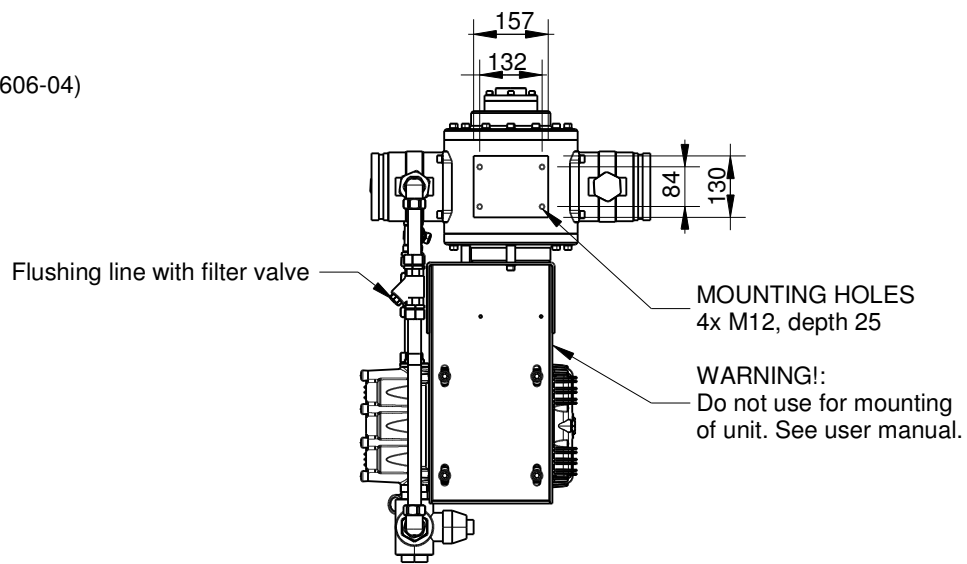
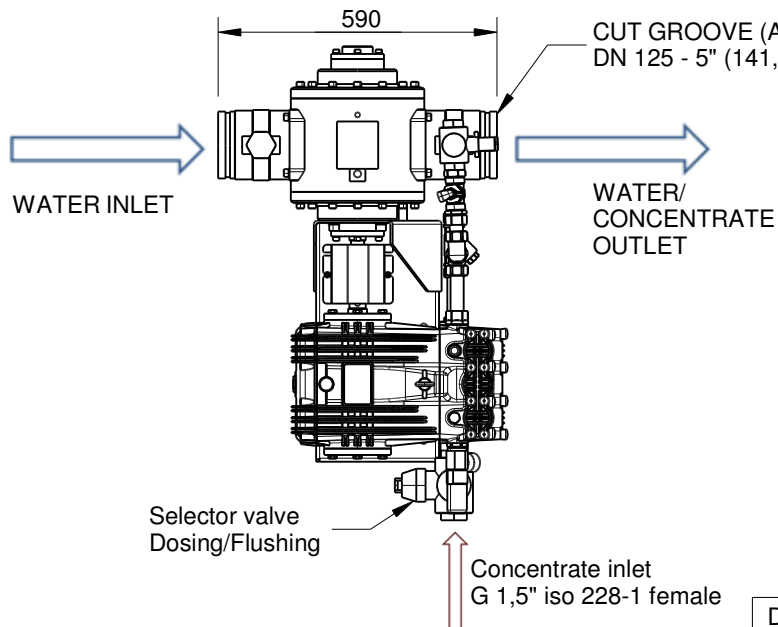
6

RevNo	Revision note	Date	Signature	Checked
-------	---------------	------	-----------	---------

A



B



C

D

Drawn by WALLE	Checked by	Approved by - date	File name	Date 2017-01-13	Scale 1:16
-------------------	------------	--------------------	-----------	--------------------	---------------

<b>Firemiks AB</b>			<b>FIREMIKS FM 3200-3-PP-F DRV PRV</b>		
P.O.Box 8155 SE-104 20 STOCKHOLM, Sweden info@firemiks.com +46-8-551 196 10			Copyright of Firemiks AB All rights reserved		Edition Sheet 1/1

Dimension tolerance ± 1mm unless otherwise stated

We reserve the right to make changes in the specifications without prior notice

1

2

3

6

A

B

C

D