

1

2

3

4

5

6

RevNo	Revision note	Date	Signature	Checked
-------	---------------	------	-----------	---------

Dosing / Return Valve (DRV)
G 3/4" iso 228-1 female

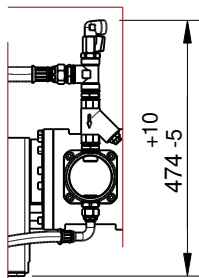
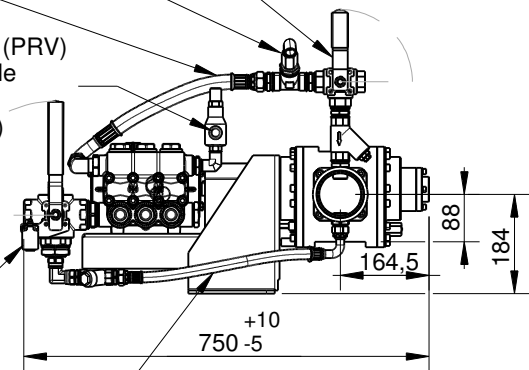
Manual air relief valve

Dosing line with
check valve

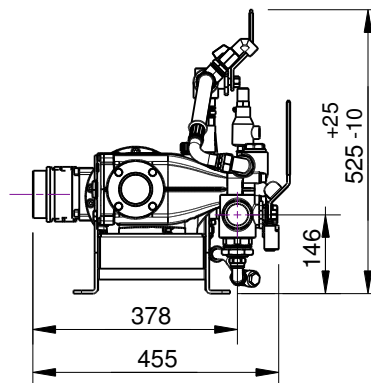
Pressure Relief Valve (PRV)
G 3/8" iso 228-1 female
Set pressure 20bar
(Only on DRV version)

Supervisory
Switch
1NC+1NO

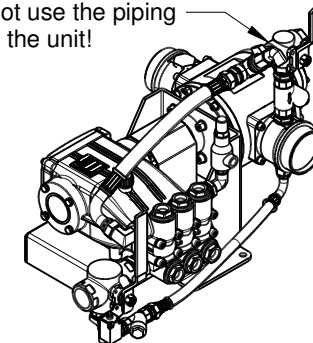
Flushing line with filter valve



Version without
Dosing / Return Valve
(DRV)



WARNING!
Do not use the piping
to lift the unit!



A

A

B

B

C

C

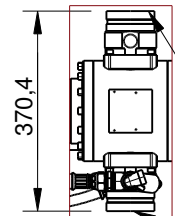
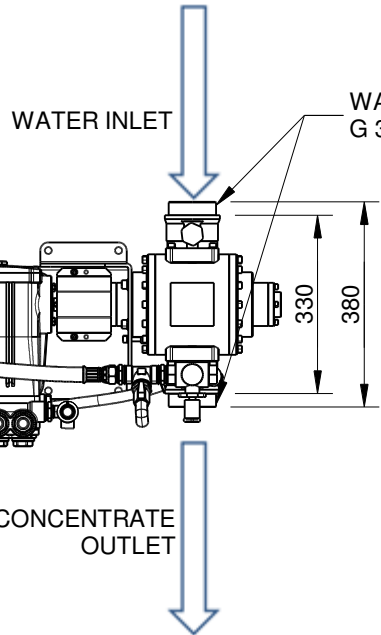
WATER INLET

WATER CONNECTION
G 3" iso228-1 male

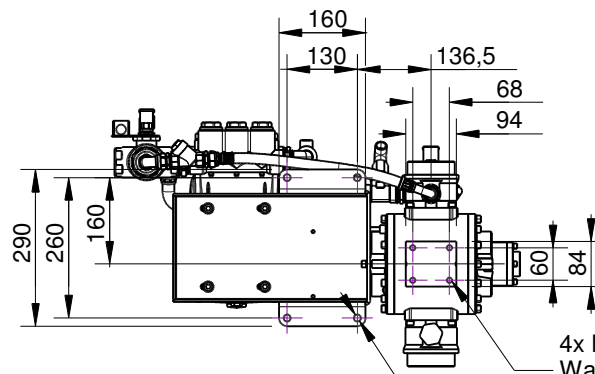
CONCENTRATE INLET
G 1 1/4" iso 228-1
female

Selector valve
Dosing/Flushing

WATER/CONCENTRATE
OUTLET



Optional:
ANSI/AWWA C606-04
Cut Groove DN80 (88,9)



4x M10x20
Water motor mounting holes
See Instruction Manual

4x Ø13
Pump bracket mounting holes
See Instruction Manual

D

D

FM Approved when used together with FM Approved
foam concentrates and discharge devices

Dimensions tolerance ± 1mm unless otherwise noted
NOTE! Reverse water flow direction is optional
We reserve the right to make changes without prior notice

Drawn by WALLE	Checked by	Approved by - date MKA	File name	Date 2017-12-28	Scale 1:14
-------------------	------------	---------------------------	-----------	--------------------	---------------

Firemiks AB			DD - 2303		
P.O.Box 8155			FIREMIKS 1200-3-PP-F-FM		
SE-104 20 STOCKHOLM, Sweden			Copyright of Firemiks AB		Edition
info@firemiks.com +46-8-551 196 10			All rights reserved		Sheet 1/1

1

2

3

6