

1

2

3

4

5

6

RevNo	Revision note	Date	Signature	Checked
-------	---------------	------	-----------	---------

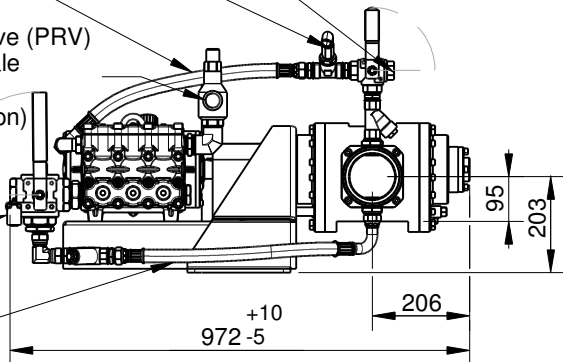
Dosing / Return Valve (DRV)
G 3/4" iso 228-1 female

Manual air relief valve

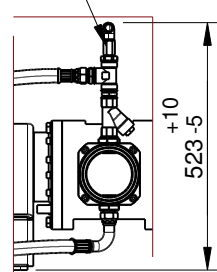
Pressure Relief Valve (PRV)
G 1" iso 228-1 female
Set pressure 20bar
(Only on DRV version)

Supervisory Switch
1NC+1NO

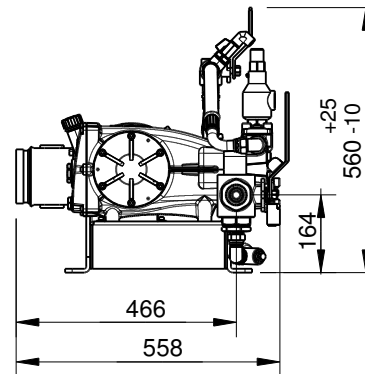
Flushing line with filter



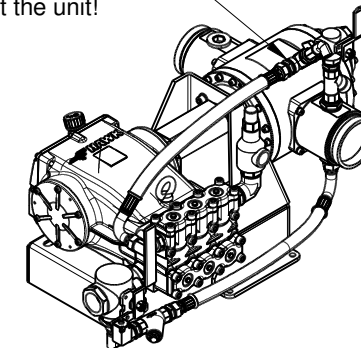
Manual air relief valve



Version without Dosing / Return Valve (DRV)



WARNING!
Do not use piping to lift the unit!



A

A

B

B

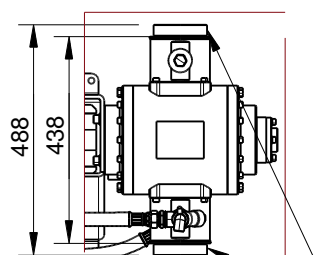
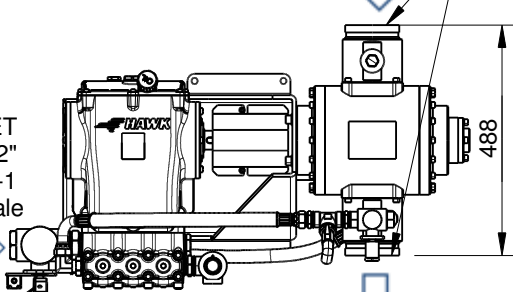
WATER INLET

ANSI/AWWA C606-87
Cut Groove DN100 (114,3)

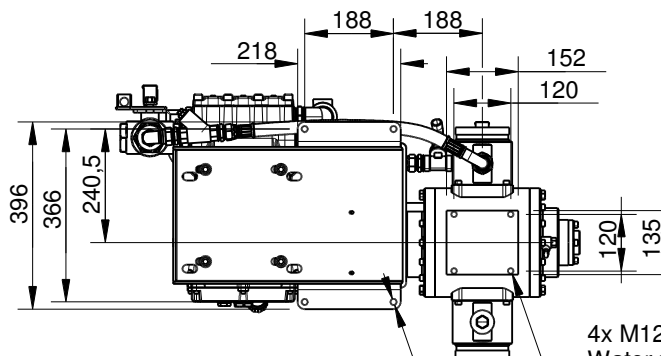
CONCENTRATE INLET
G 1 1/2" iso 228-1 female

Selector Valve
Dosing/Flushing

WATER/CONCENTRATE
OUTLET



Optional:
G 4" iso 228-1 male



4x M12, depth 32,
Water motor mounting holes
See Instruction Manual

4x Ø13
Bracket mounting holes
See Instruction Manual

C

C

D

D

FM Approved when used together with FM Approved foam concentrates and discharge devices

Dimensions tolerance ± 1mm unless otherwise noted
NOTE! Reverse water flow direction is optional
We reserve the right to make changes without prior notice

Drawn by WALLE	Checked by	Approved by - date MKA	File name	Date 2017-12-28	Scale 1:16
-------------------	------------	---------------------------	-----------	--------------------	---------------

Firemiks AB

**P.O.Box 8155
SE-104 20 STOCKHOLM, Sweden
info@firemiks.com +46-8-551 196 10**

**DD - 2305
FIREMIKS 2400-3-PP-F-FM**

Copyright of Firemiks AB
All rights reserved

Edition	Sheet 1/1
---------	--------------

1

2

3

6