

1

2

3

4

5

6

RevNo	Revision note	Date	Signature	Checked
-------	---------------	------	-----------	---------

Dosing / Return Valve (DRV)
G 3/8" iso 228-1 female

Manual air relief valve

Pressure Relief Valve (PRV)
G 3/8" iso 228-1 female
Set pressure 20bar
(Only on DRV version)

Supervisory Switch
1NC+1NO

Flushing line with filter

Manual air relief valve

WARNING!
Do not use the piping to lift the unit!

A

A

B

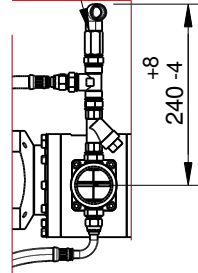
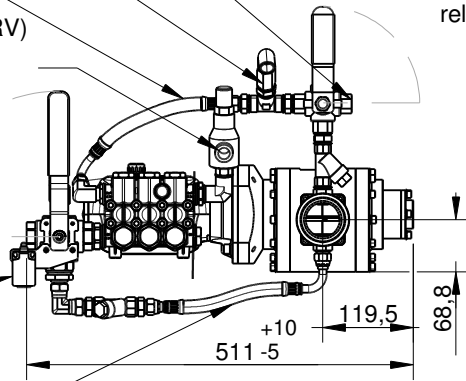
B

C

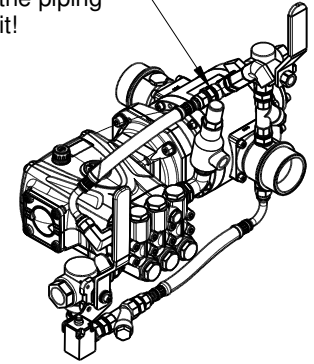
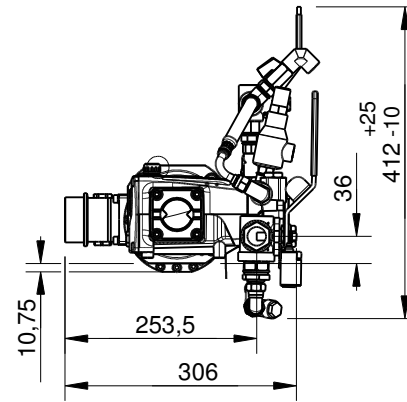
C

D

D



Version without Dosing / Return Valve (DRV)



WATER INLET

WATER CONNECTIONS
G 2" iso 228-1 male

CONCENTRATE INLET
G 3/4" iso 228-1 female

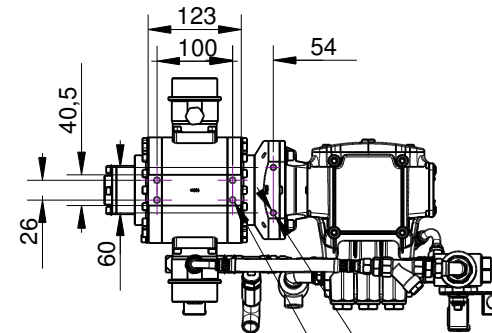
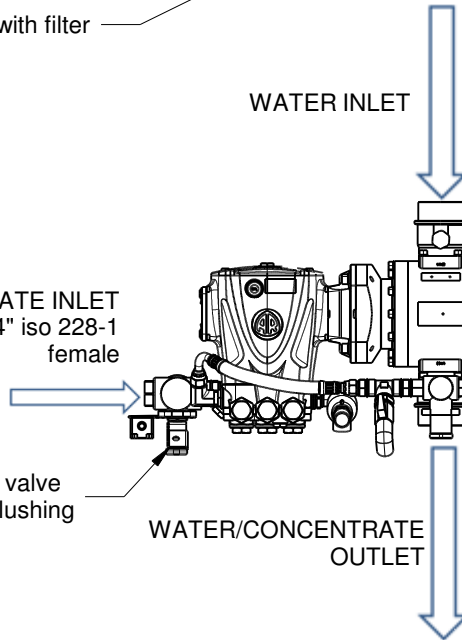
Selector valve
Dosing/flushing

WATER/CONCENTRATE
OUTLET

Optional:
ANSI/AWWA C606-04
Cut Groove DN50 (60,3)

Mounting holes
2x M8x20
See Instruction Manual

MOUNTING HOLES
4X M6X20
See Instruction Manual



Drawn by WALLE	Checked by	Approved by - date MKA	File name	Date 2017-12-28	Scale 1:10
-------------------	------------	---------------------------	-----------	--------------------	---------------

Firemiks AB

**P.O.Box 8155
SE-104 20 STOCKHOLM, Sweden
info@firemiks.com +46-8-551 196 10**

**DD - 2301
FIREMIKS 450-3-PP-F-FM**

Copyright of Firemiks AB
All rights reserved

Edition	Sheet 1/1
---------	--------------

FM Approved when used together with FM Approved foam concentrates and discharge devices

Dimensions tolerance ± 1mm unless otherwise noted
NOTE! Reverse water flow direction is optional
We reserve the right to make changes without prior notice

1

2

3

6