

1

2

3

4

5

6

RevNo

Revision note

Date

Signature

Checked

**Recommended spare parts:**

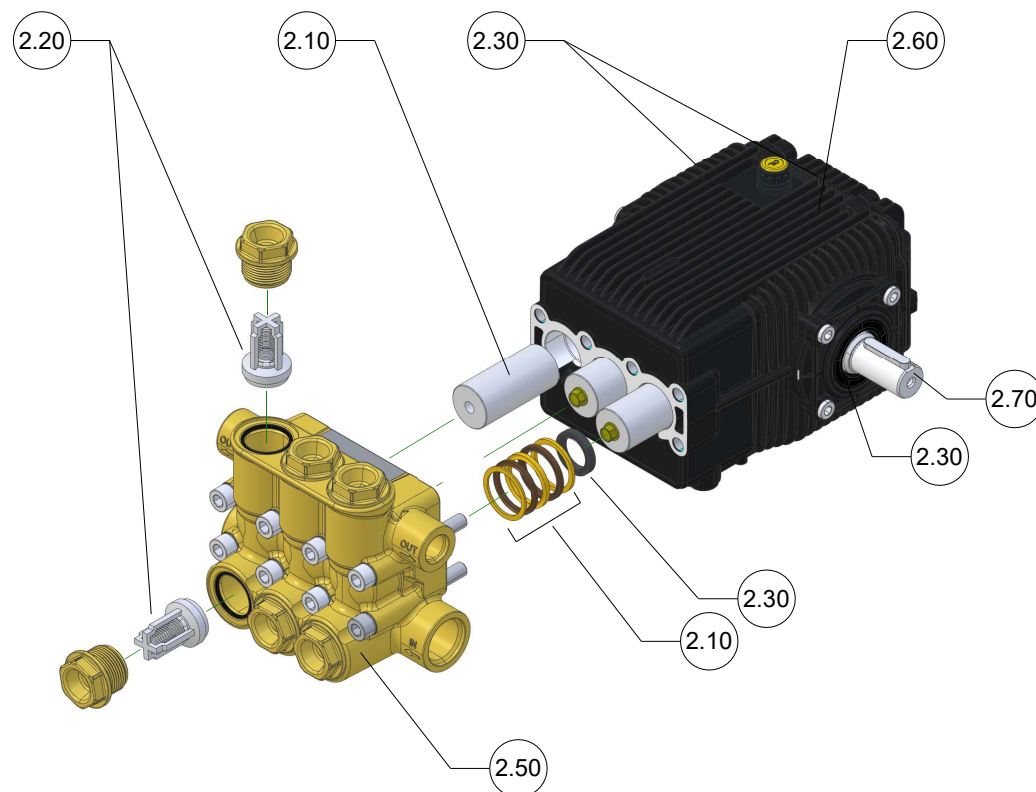
Ref.nr.	#	Part name	Materials
2.10	1	Water seals and plunger kit	NBR, Ceramic
2.20	1	In / Out valve kit	POM cage Stainless steel valve

**Other spare parts**

Ref.nr.	#	Part Name	Materials
2.30	1	Oil seals kit	NBR

**Materials remaining components**

Ref.nr.	#	Part Name	Materials
2.50	1	Pump head	Brass CW617N (or AISI 316L for optional SS head)
2.60	1	Body/carter	Cataphoresis Aluminum EN AB-46100
2.70	1	Crank shaft	Hardened steel + Tectyl corrosion protection
		O-rings	NBR

**FOR ORDERING SPARE PARTS:****Please state:**

- Serialnumber of the complete unit
- Ref.nr. and part name(s), and quantity requested

**Note:**

ALSO VALID FOR DUAL HEAD PUMPS  
All kits contain the number of parts needed to  
service all plungers on your serial number

Drawn by  
WALLE

Checked by

Approved by - date

File name

Date  
2020-10-19

Scale

**Firemiks AB**

**P.O.Box 8155**

**SE-104 20 STOCKHOLM, Sweden**

**info@firemiks.com +46-8-551 196 10**

**SPARE PART DRAWING 2 PISTON PUMP materials**

Copyright of Firemiks AB  
All rights reserved

Edition

Sheet

1

2

3

6