

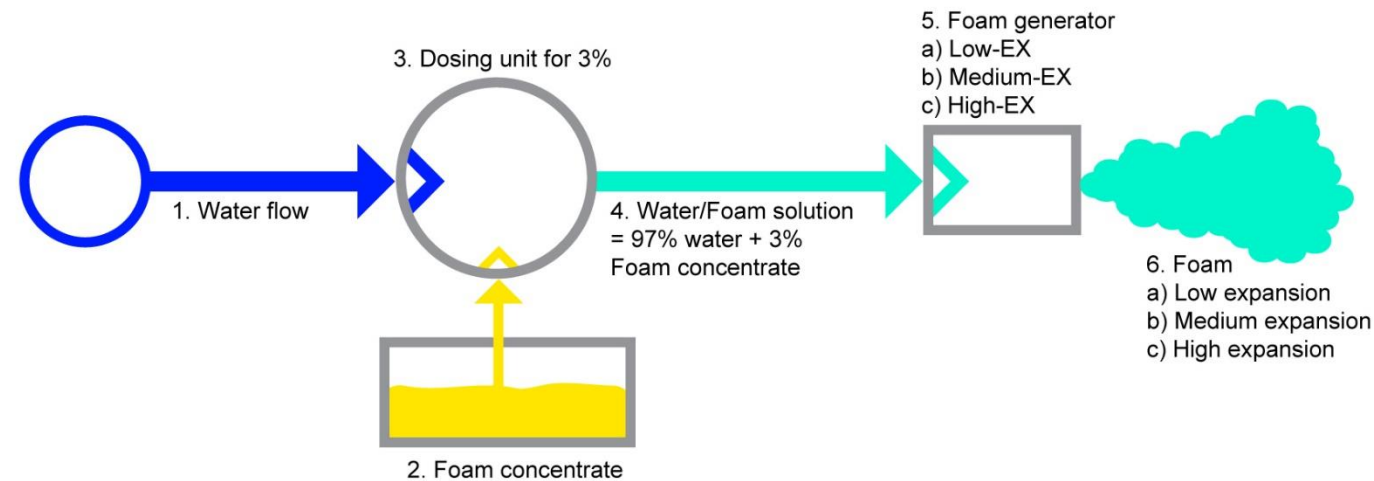


# WATER DRIVEN PUMP PROPORTIONERS FOR FIRE FIGHTING - INTRODUCTION

FIREMIKS is a reliable and easy-to-use foam proportioner, driven by the water flow only.

[www.firemiks.com](http://www.firemiks.com)

# BASIC ELEMENTS IN PRODUCING FOAM



1. **Water flow.**
2. **Foam concentrate** (e.g. 3%).
3. Dosing unit – FIREMIKS - to inject the Foam concentrate into the Water creating:
4. Water/Foam solution.
5. Foam generator, to add air into the Water/Foam solution to produce:
6. Finished Foam, Low-EX, Medium-EX or High-EX.

# SIMPLE AND RELIABLE SYSTEM

## THE BASIC IDEA OF FIREMIKS-SYSTEM

---

- A reliable, simple and self-regulating mechanical system driven by the existing water flow - no other energy source required.
- Accurate proportioning is made automatic, the FIREMIKS system adjust itself for changes in flow and pressure, without any calibration needed.

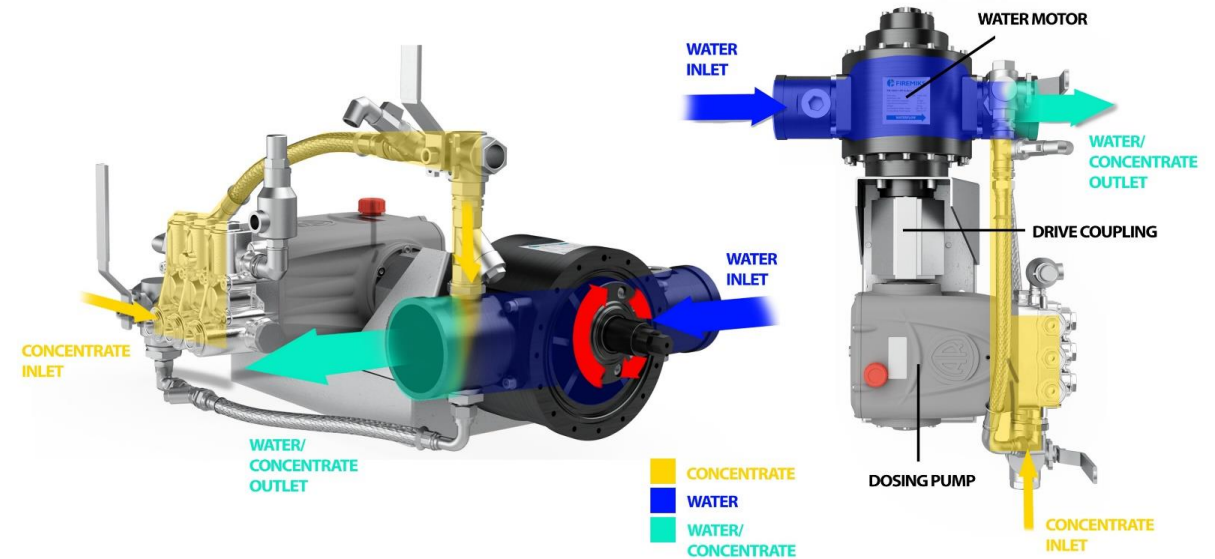


Combine your foam concentrate with the powerful water driven foam proportioner FIREMIKS. Permits uninterrupted application time provided that foam liquid and water are supplied.

# WORKING PRINCIPLE

## FLOW DRIVEN

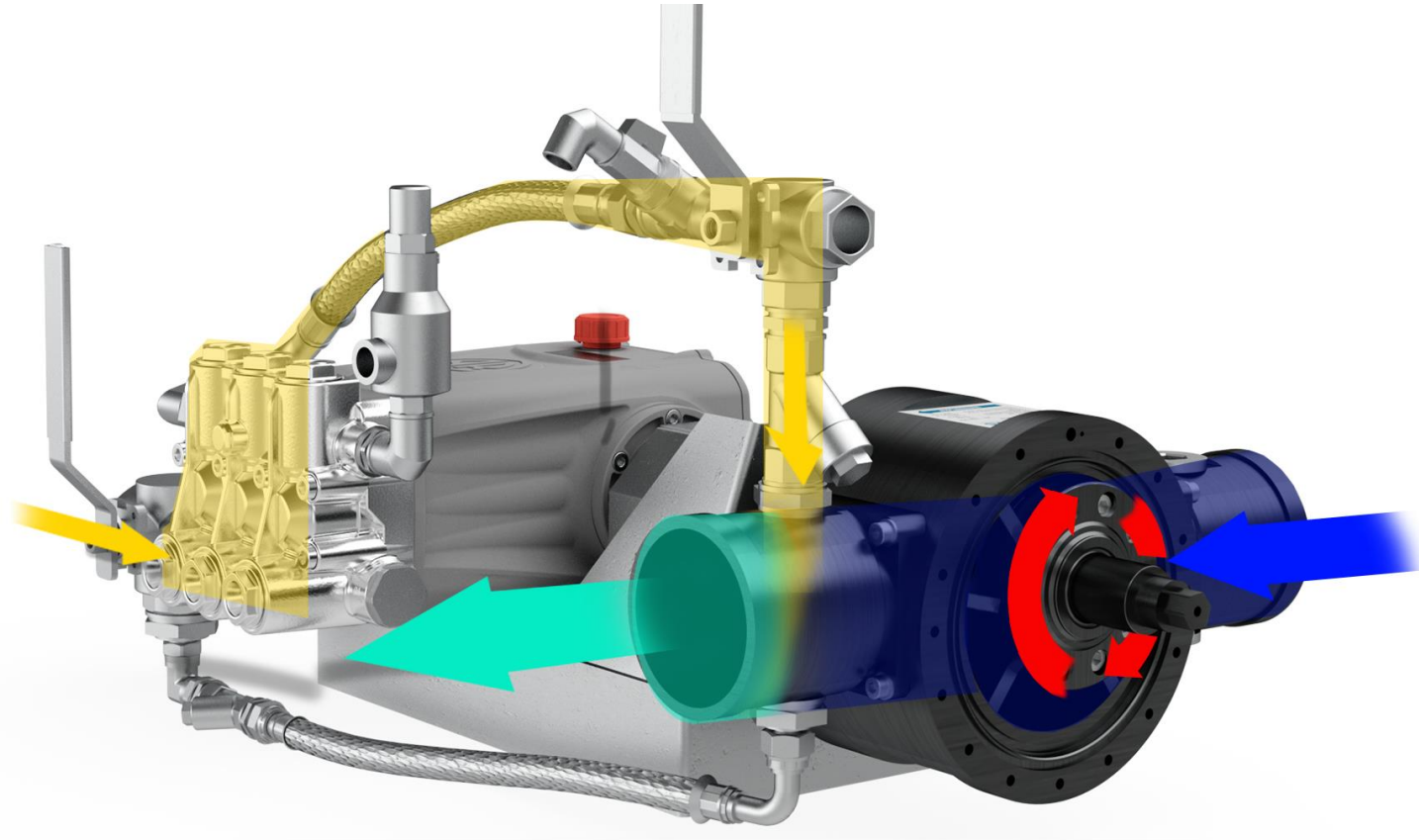
- The water flow goes through the FIREMIKS positive displacement water motor. This generates an axial rotation, transferred to the dosing pump over the direct drive coupling.
- Since the water motor functions both as a drive to the dosing pump and as a flow meter device, the system becomes by that flow proportional: dosing remains within approved tolerance regardless of variations in the water flow.



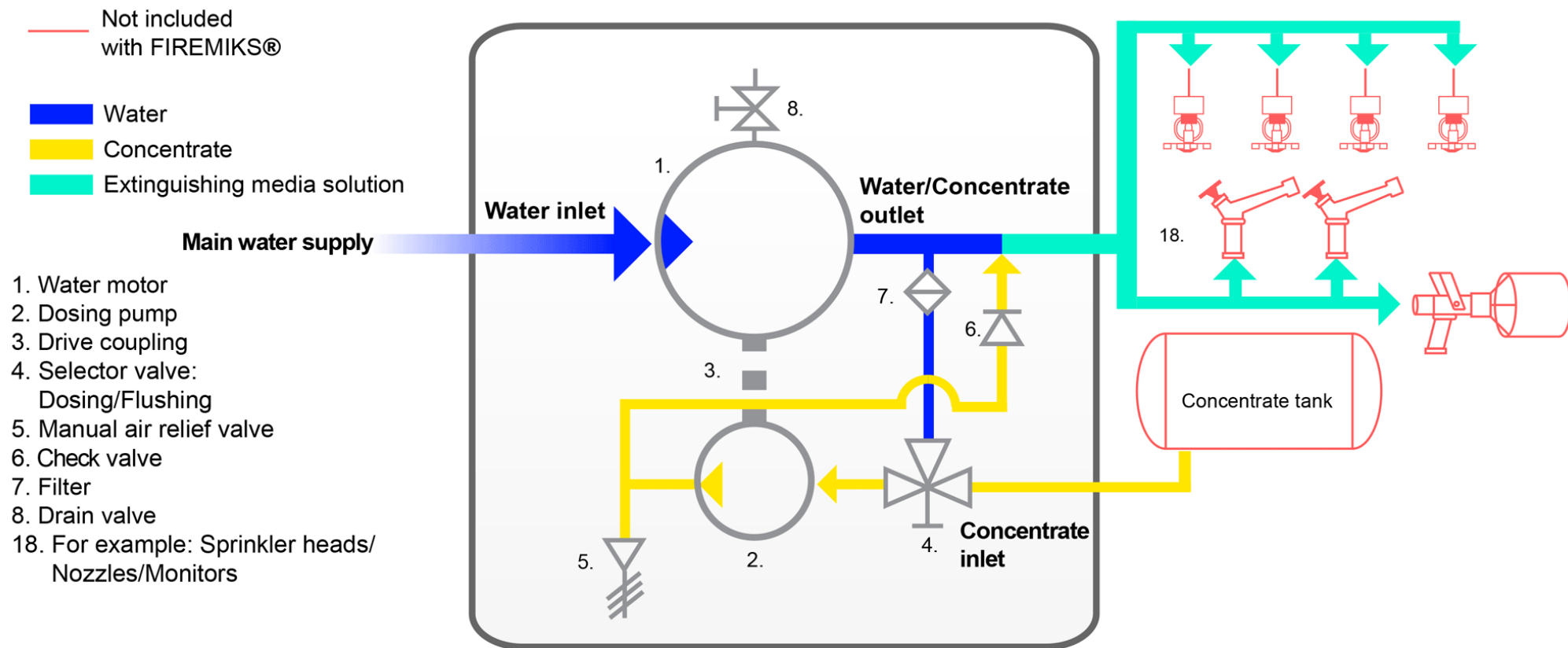
# WORKING PRINCIPLE

## UNIQUE WATER MOTOR

- Special designed volumetric water motor using 8-10 vanes extending from the rotor gives smooth rotation and volumetric function without using moving elastomer sealing.



# PRINCIPLE FLOW CHART



N.B. Reverse water flow direction is optional.

Thank you for your attention!  
For more info, visit

[www.firemiks.com](http://www.firemiks.com)

